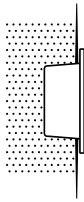


GIUDECCA

THE ONLY OUTDOOR IN-WALL SOUNDER



GIUDECCA

THE ONLY OUTDOOR IN-WALL SOUNDER



A PRODUCT FEATURING THE MAXIMUM SECURITY WITH MINIMAL AESTHETIC IMPACT

Giudecca is the first sounder completely wall built-in: the only visible component is its external cover, sturdy and yet slim, designed to look like a fan grill.

The sounder is equipped with an elegant light-guidance LED flashing unit, fully customisable and perfect to its deterrent power. The wide chromatic range allows Giudecca to satisfy the most diverse aesthetic needs.

COLOURS

External cover

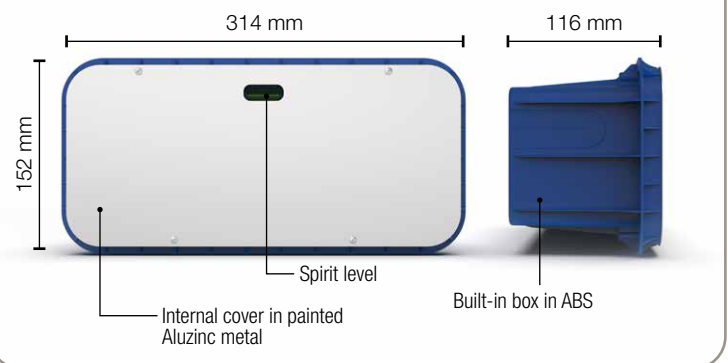
-  White standard
-  Light gray
-  Dust gray
-  Corten
-  Stainless steel brushed
(colour available at extra cost)

BUILT-IN BOX

Unique and elegant, Giudecca is a product designed to make installation work easy.

The sounder features some useful technical tricks to ensure perfect performances and mounting.

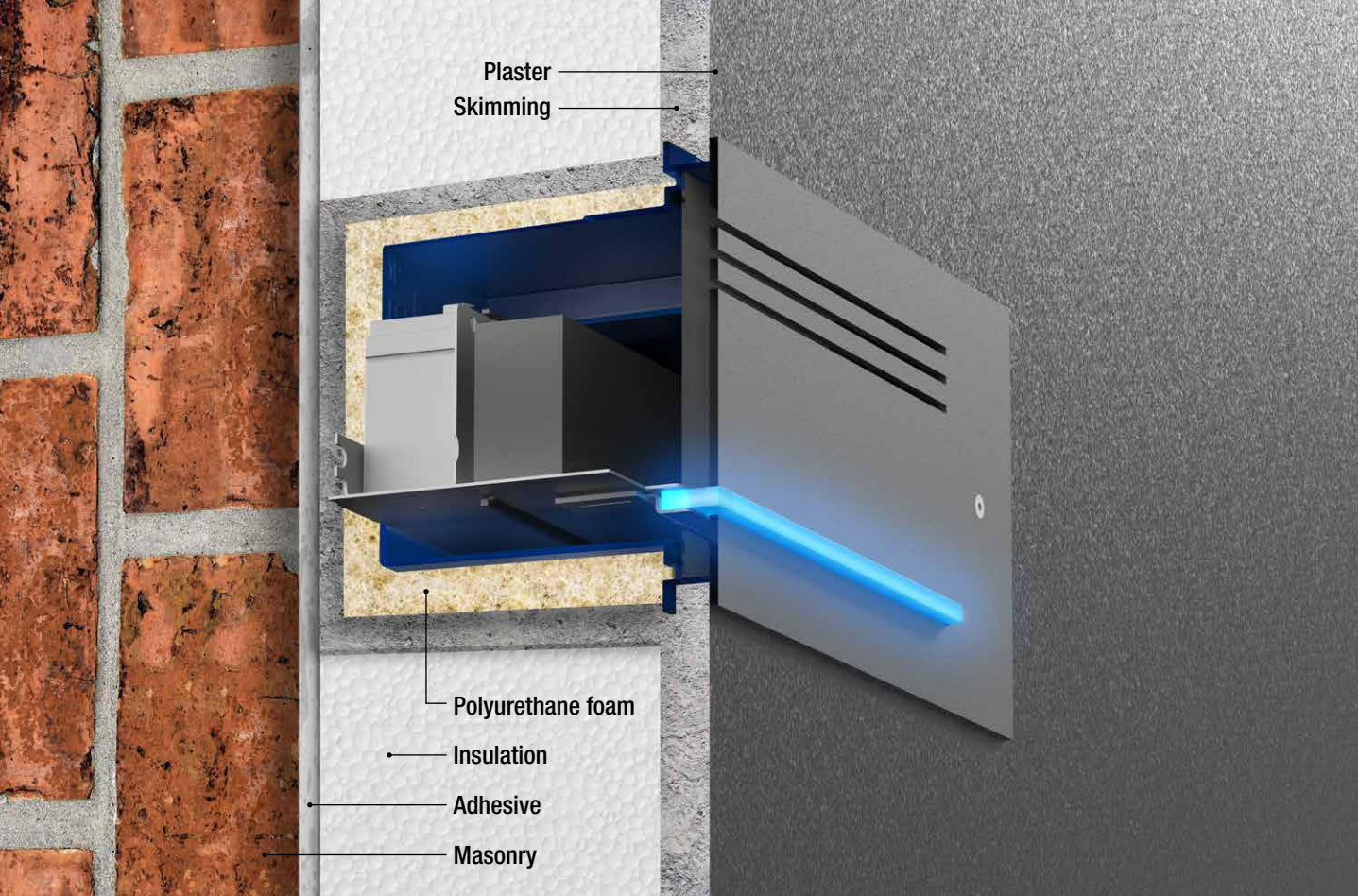
- Built-in box provided in first-rate ABS with seal.
- Removable cover in galvanised metal, designed to avoid the contamination with construction material.
- Spirit level.
- Setup for cable passing.



CUSTOMIZED SOLUTION

Giudecca is fully customisable, representing the ideal solution to satisfy the most diverse requests and aesthetic needs.

Its external cover can be easily painted over in any colour but also customised in size and shape to better fit any installation locations.



ADVANCED PERFORMANCE



Positive and negative ON/OFF settable by dip switch



Battery control according to EN 50131 standard



Customizable RGB LED optical ON/OFF signaling



2 programmable sounds and 2 timings settable by dip switch



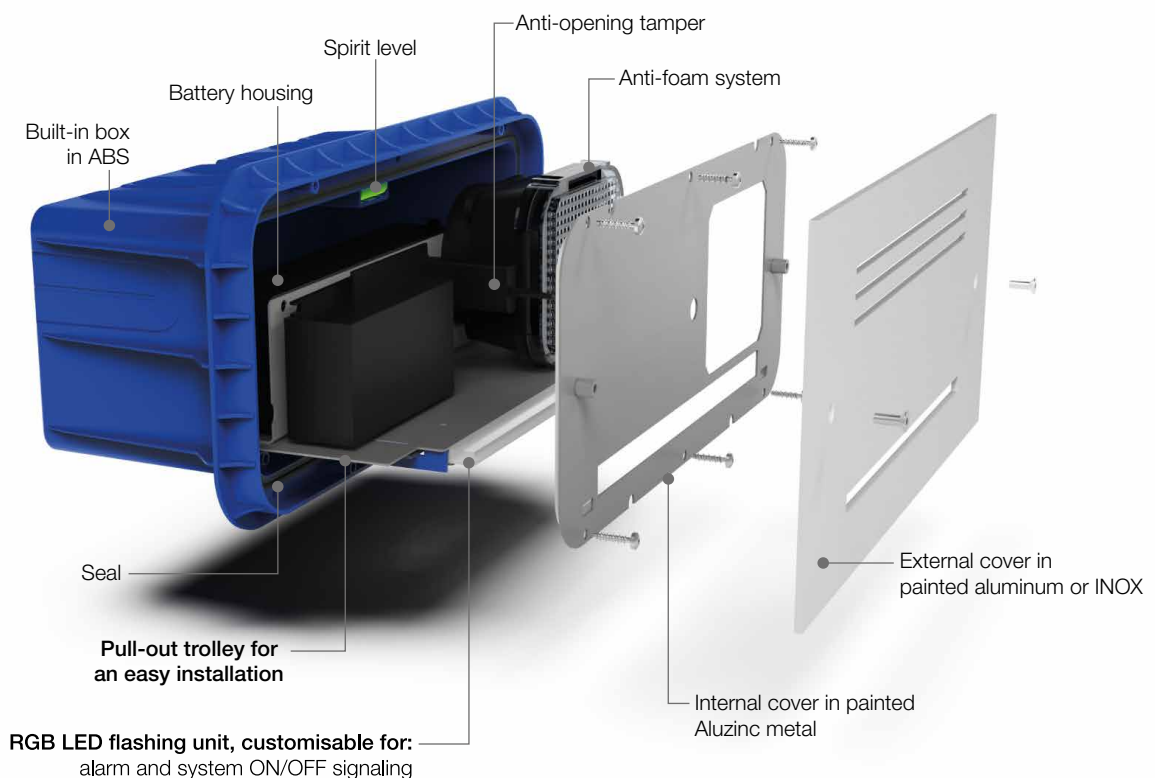
Block speaker

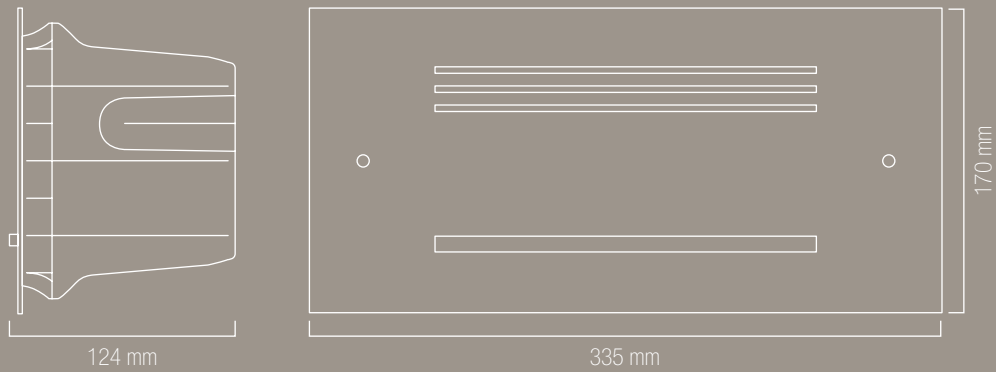


Daily alarm counting



Flash reset





TECHNICAL DATA

GIUDECCA

Power supply:	13.8 Vdc
MAX consumption:	700 mA
Standby consumption:	15 mA
Battery consumption in alarm:	~ 1 A
LED consumption:	30 mA
Fundamental frequency:	2100 Hz
MAX level sound at 1 m:	105 dB
Control:	3 or 2 wires
Remote test of sounder and battery	•
Anomaly output	•
Anti-opening tamper	•
Anti-foam device	•
Block speaker	•
Frash reset	•
Daily alarm counting	•
Customizable RGB LED optical	•
Operating temperature:	-30°C ÷ +65°C
Battery:	12 V 2.1 Ah Pb
Standard:	EN 50131-4
Weight:	2500 gr.